



<http://wiki.homerecz.com>

.....	1
.....	1
.....	1
.....	1
.....	5
.....	6
BJT	7
Waves Scheps 73	7
FET	8
.....	9
.....	9
.....	9
.....	9

Distortion

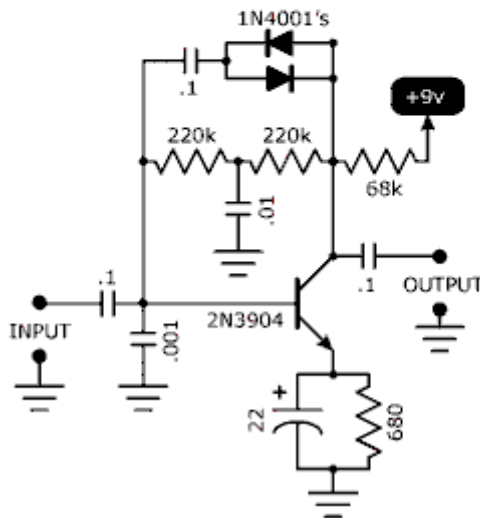
(BJT, FET, Op-Amp)
가 가

가

Easy Drive

By Joe Davison (joe1@i1.net)
Copyright © 2000 Joe Davison.
All Rights Reserved.

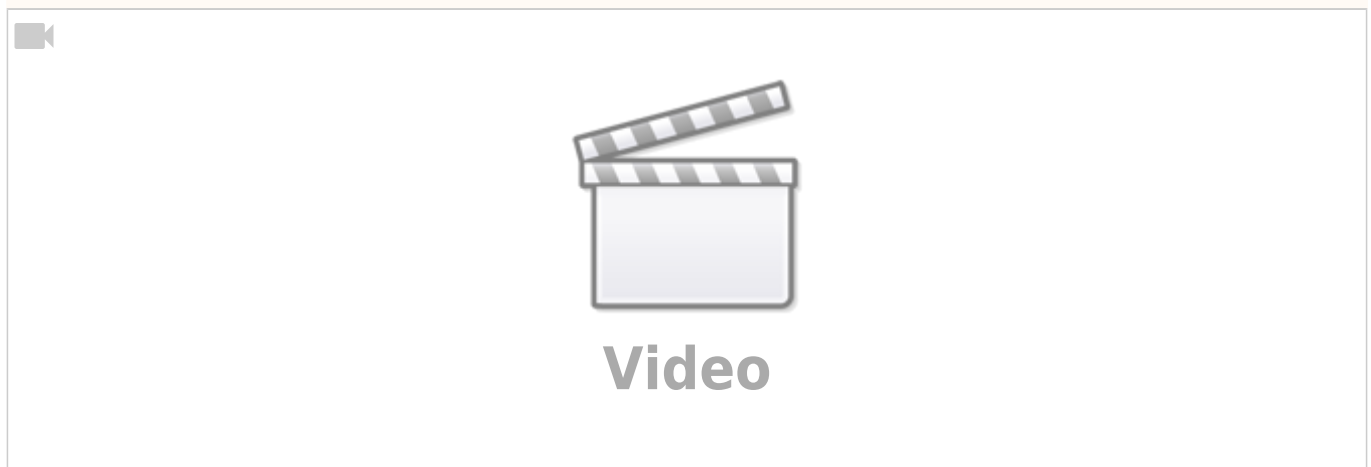
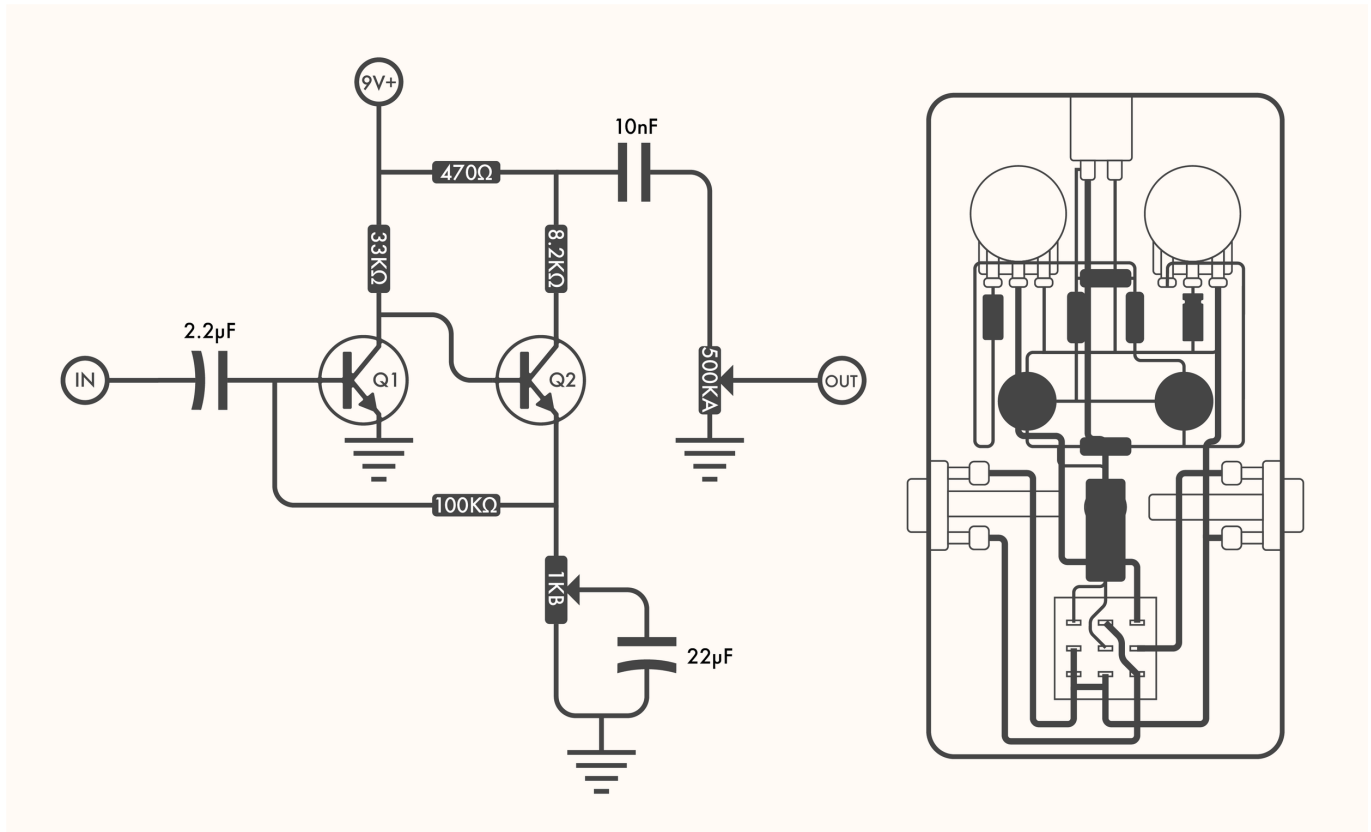
I came up with this circuit while trying to get the most distortion out of one transistor. It sounds pretty good for what it is, and you don't need knobs! It's "plug and play"!



Fuzz

Amp FET

Op-

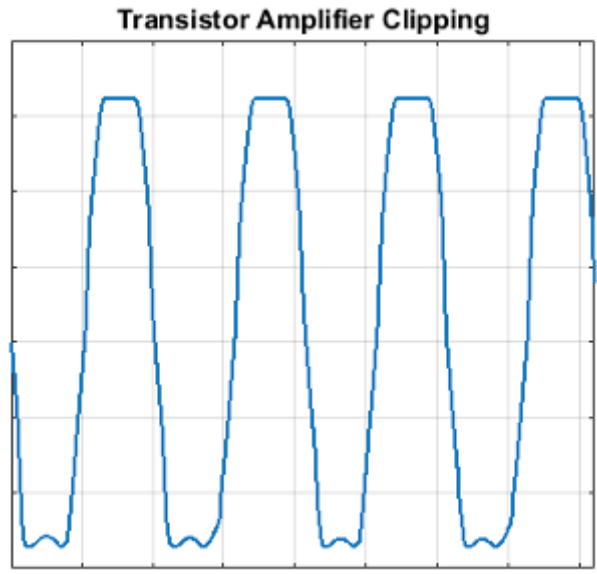


BJT

Distortion

BJT

가 / 가 .



Waves Scheps 73

Waves Scheps 73

BJT

BJT

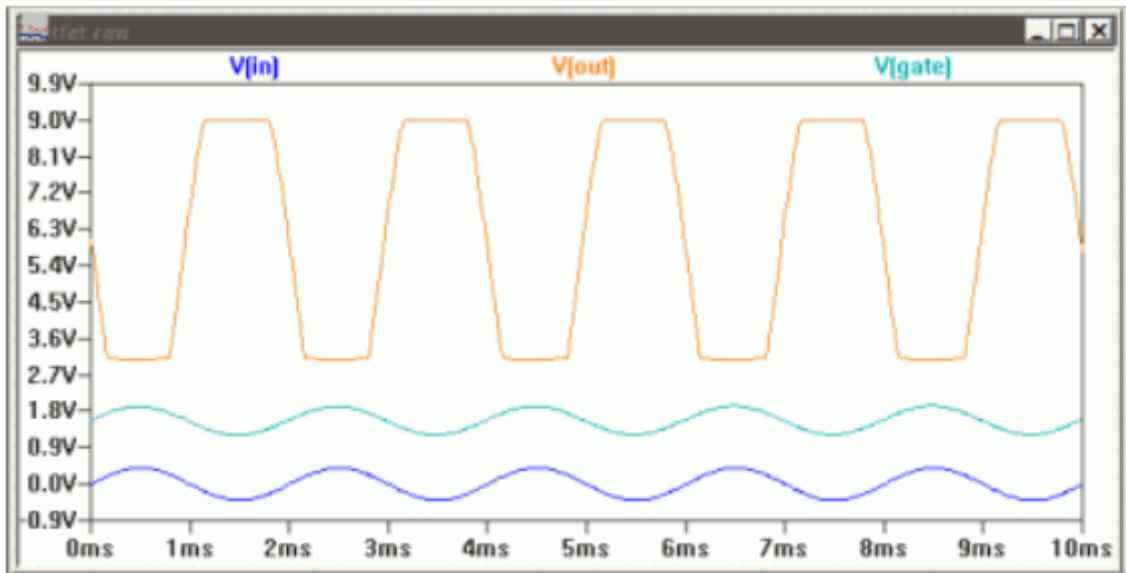


FET

FET

1) 가

BJT 가 . ,



1)



<http://wiki.homerecz.com>

From:

<https://www.homerecz.com/> -

Last update: **2025/01/20**

: (admin@homerecz.com)