



<http://wiki.homerecz.com>

.....	1
.....	1
.....	1
.....	1
THAT1510/1512	5
THAT1510/1512가	6
Reference	6
.....	7
.....	7
.....	7
.....	7

THAT1510/1512

THAT1510 1512

Op-Amp IC

Analog Devices

SSM2019 SSM2017(), Texas Instruments INA217 INA163

THAT

Si-

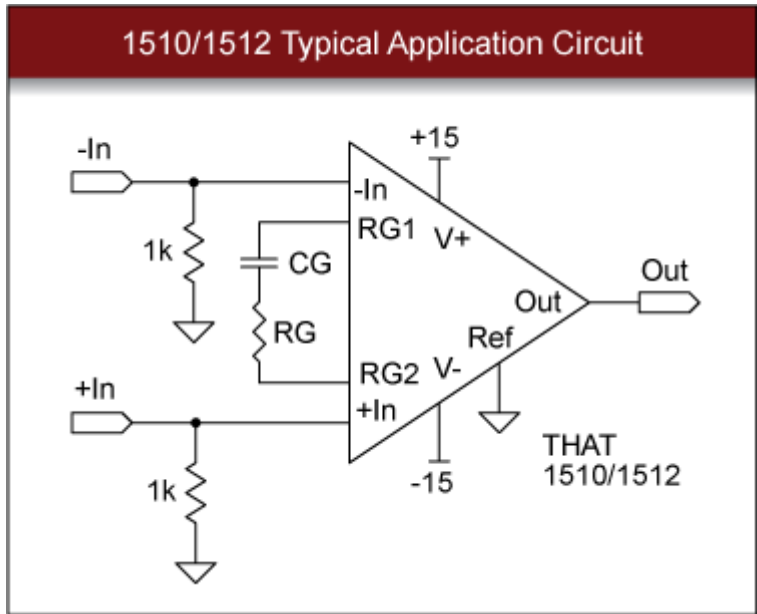
Chrome 가 1510 1512

Features

- Low Noise: 1 nV/√Hz input noise (60dB gain), 34 nV/√Hz input noise (0dB gain) (1512)
- Low THD+N (full audio bandwidth): 0.001% < 40dB gain, 0.005% @ 60dB gain
- Low Current: 6 mA
- Wide Bandwidth: 7MHz @ G=100
- High Slew Rate: 19 V/μs
- Wide Output Swing: ±13.3V on ±15V supplies
- Current feedback (CFB) architecture
- Gain adjustable from -6 to >+60dB with one external resistor
- Industry-standard pinouts

Applications

- Microphone Preamplifiers
- Variable-gain Line Input Stages
- Differential Low Noise Preamplifiers
- Differential Summing Amplifiers
- Differential Variable Gain Amplifiers
- Moving-Coil Transducer Amplifiers
- Intercom/paging Systems
- Sonar
- Instrumentation

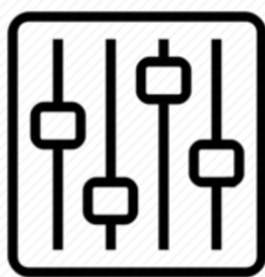


THAT1510/1512가

- <https://rme-audio.de/octamic-ii.html>
- <https://www.soundonsound.com/reviews/m-audio-octane>
- <https://www.m-audio.com/legacy/profire-2626.html>
- <https://www.m-audio.com/legacy/profire-610.html>

Reference

- <https://thatcorp.com/that-1510-1512-low-noise-high-performance-audio-preamplifiers/>



<http://wiki.homerecz.com>

From:
<https://wiki.homerecz.com/> -

Last update: **2025/04/04**

: (admin@homerecz.com)