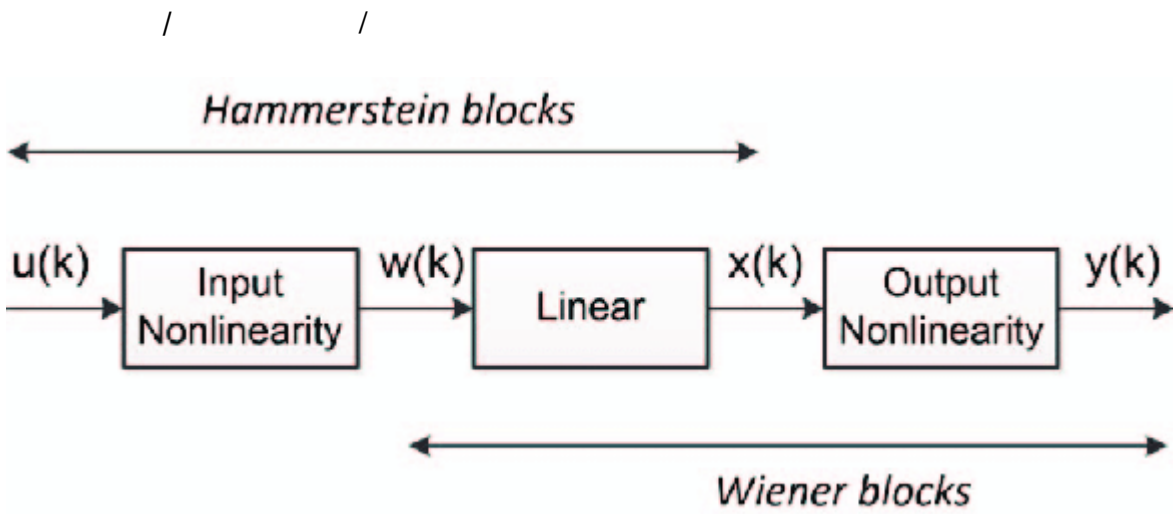




<http://wiki.homerecz.com>

.....	1
.....	1
.....	1
.....	1
Hammerstein-Wiener model	5
.....	5
.....	7
.....	8
.....	8
.....	8
.....	8

Hammerstein-Wiener model



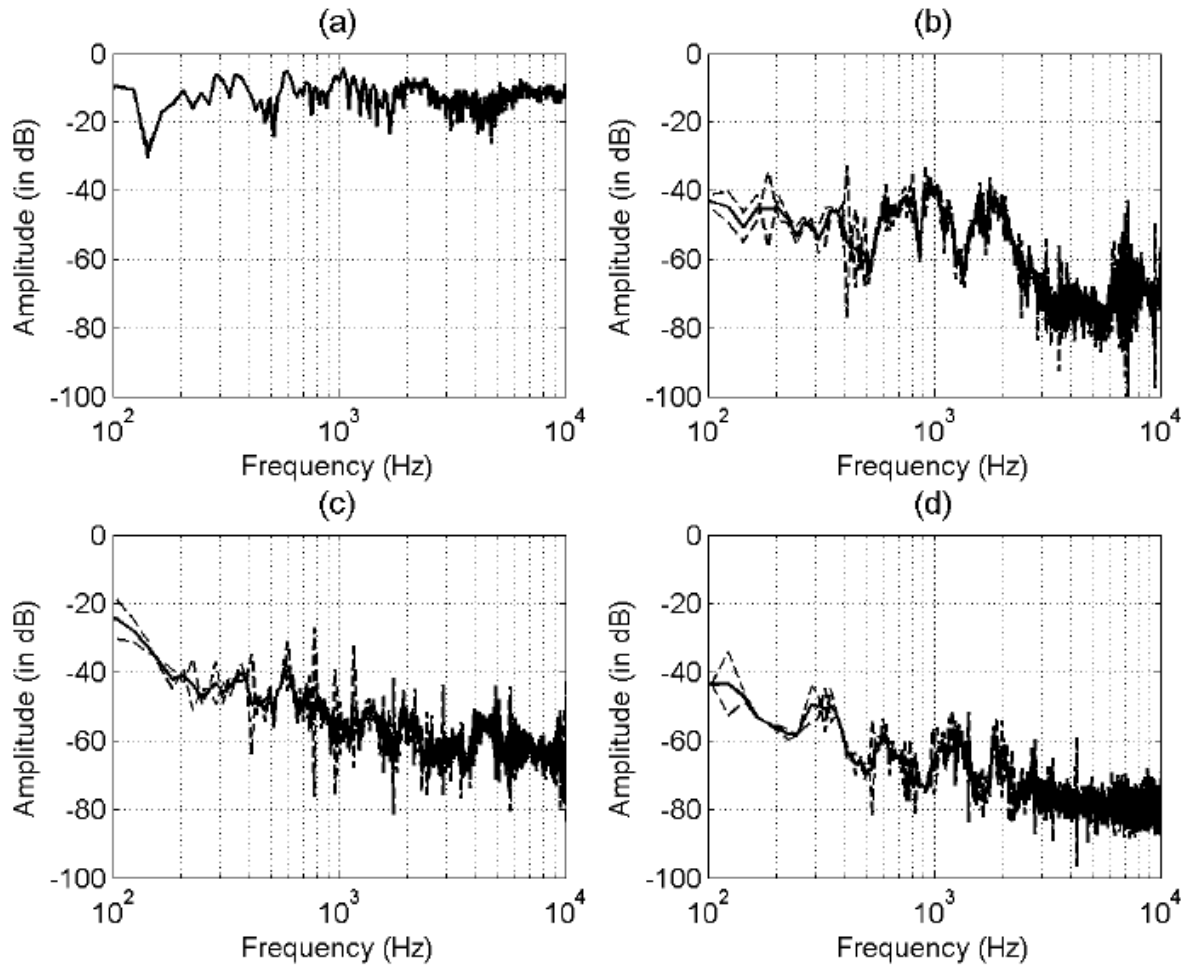
가

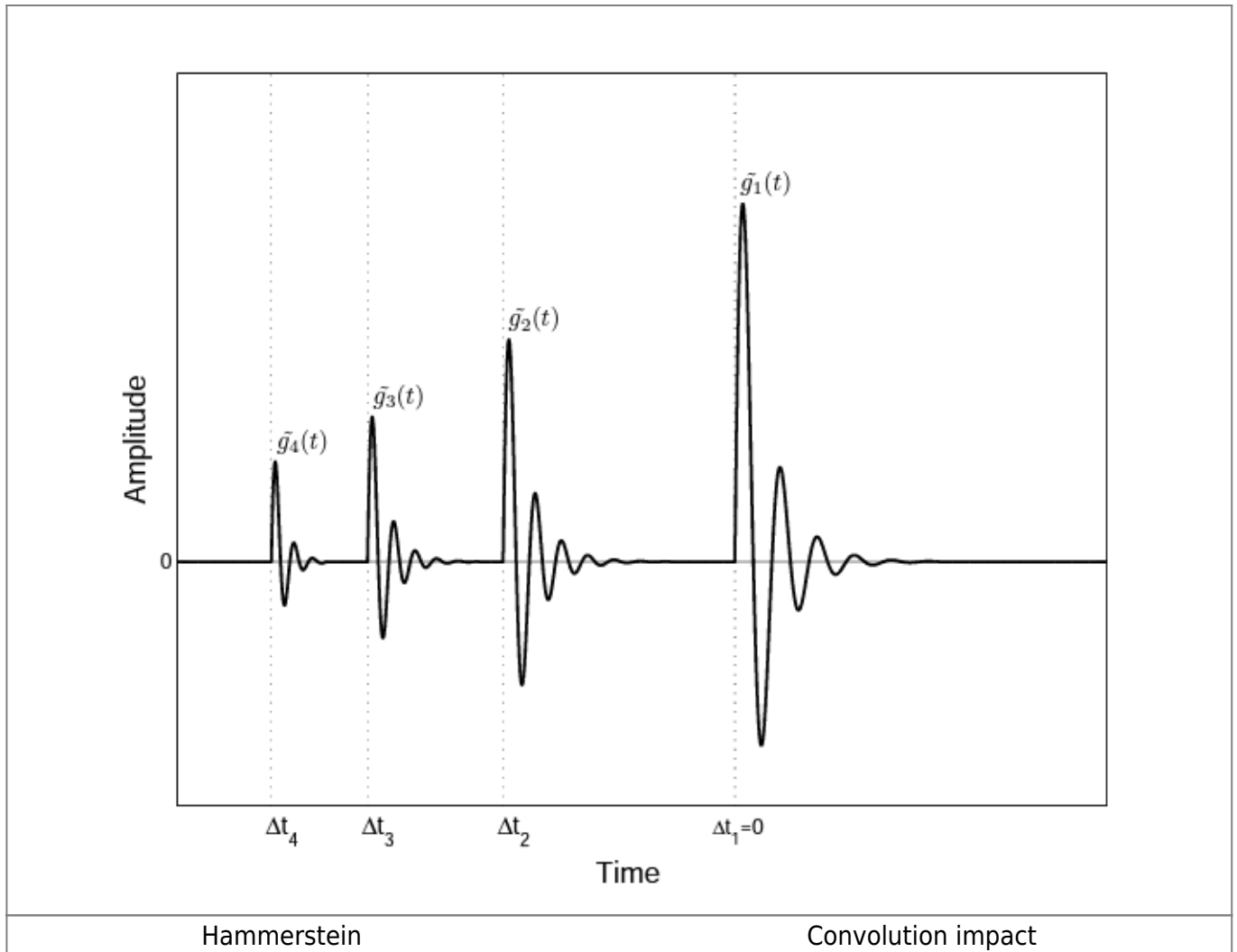
- . Hammerstein-Wiener
- . Hammerstein-Wiener

Hammerstein-Wiener

Hammerstein-Wiener

가





“Identification of cascade of Hammerstein models for the description of non-linearities in vibrating devices”

“ Hammerstein ”

<https://hal.archives-ouvertes.fr/hal-00619301/document>

article_nl_long.pdf



<http://wiki.homerecz.com>

From:

<https://wiki.homerecz.com/> -

Last update: **2024/12/29**

: (admin@homerecz.com)