



<http://wiki.homerecz.com>



---

.....	1
.....	1
.....	1
.....	1
<b>USB</b> .....	5
.....	5
.....	5
.....	6
<b>Host Controller</b> .....	7
.....	8
.....	8
.....	8
.....	8



# USB

## Universal Serial Bus

USB(Universal Serial Bus)

. USB

, USB Type-



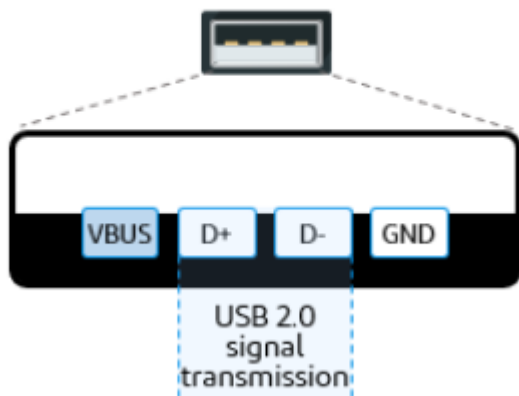
C

. USB-IF (USB Implementers Forum, Inc.)

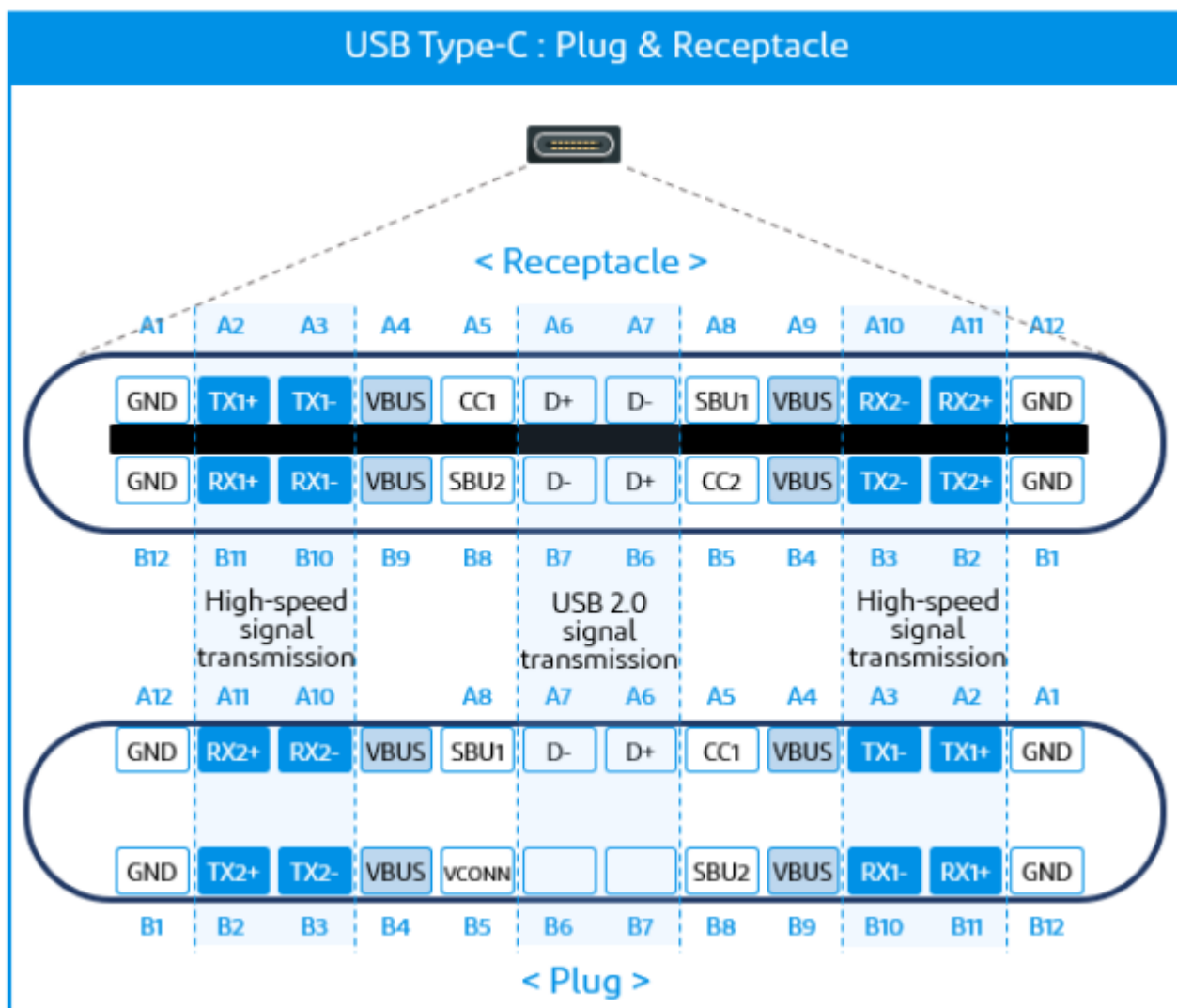
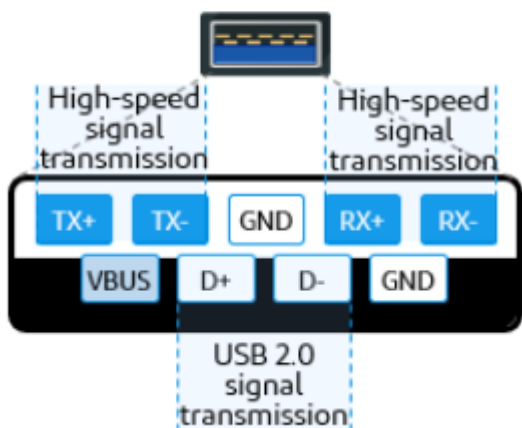
- USB
- USB Class Compliant
- USB PD

<b>USB</b>			
USB 1.1(USB 1.0)	Low speed	1.5Mbps	
	Full speed	12Mbps	
USB 2.0	High speed	480Mbps	
USB 3.2	Gen(1×1)	5Gbps	)USB 3.0    USB 3.1 gen1
	Gen(1×2)	10Gbps	)USB 3.1    USB 3.1 gen2
	Gen(2×1)	10Gbps	
	Gen(2×2)	20Gbps	

### USB Standard-A : USB 2.0



## USB Standard-A : USB 3.0 / 3.1



USB 2.0	5V	0.1A( ), 0.5A( )	0.50W, <b>2.5W</b>
USB 3.x	5V	0.15A( ), 0.9A( ), 1.5A(3.2 )	0.75W, <b>4.5W</b>
USB4™		USB PD    USB Type-C	

USB BC 1.2 <sup>1)</sup>	5V	1.5A	<b>7.5W</b>
Type-C 1.5A	5V	1.5A	7.5W
Type-C 3.0A	5V	3A	<b>15W</b>
USB PD (SPR) <sup>2)</sup>	20V	5A	100W
USB PD (EPR) <sup>3)</sup>	48V	5A	<b>240W</b>

## Host Controller

- UHCI, **U**niversal **H**ost **C**ontroller **I**nterface : USB1.0
- EHCI, **E**nhanced **H**ost **C**ontroller **I**nterface : USB2.0
- XHCI, **eX**tended **H**ost **C**ontroller **I**nterface : USB3.0
  
- Hand off Enable: **USB**
- Hand off Disable: **USB**

<sup>1)</sup>

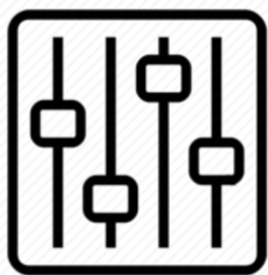
Battery Charge

<sup>2)</sup>

Standard Power Range

<sup>3)</sup>

Extended Power Range



<http://wiki.homerecz.com>

From:  
<https://wiki.homerecz.com/> -

Last update: **2024/12/30**

: (admin@homerecz.com)